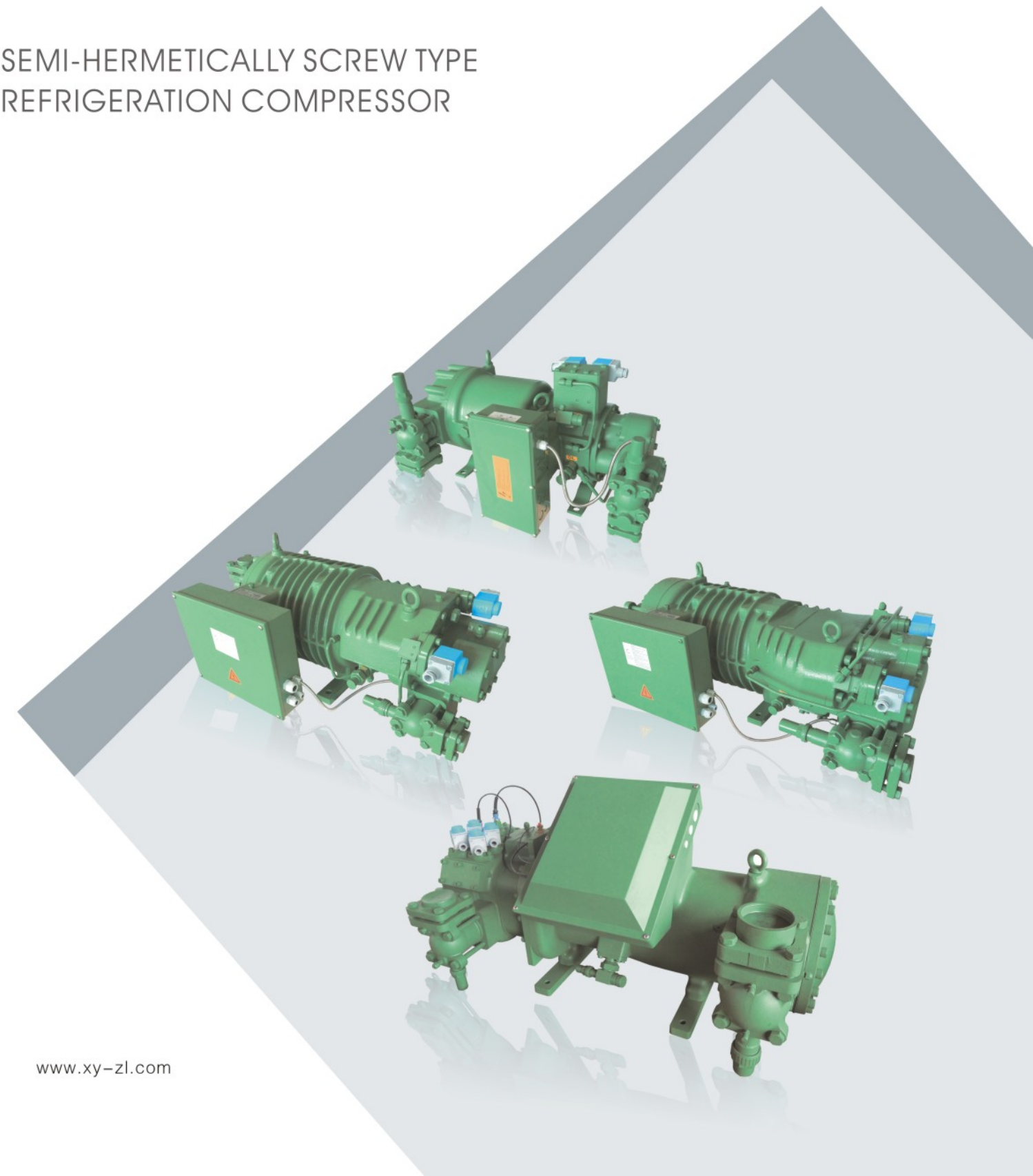




半封闭螺杆式制冷压缩机

SEMI-HERMETICALLY SCREW TYPE
REFRIGERATION COMPRESSOR



雪的世界, 鹰的精神

The Snow World, The Spirit Of The Eagle

浙江商业机械厂有限公司

ZHEJIANG COMMERCIAL MACHINERY FACTORY CO.,LTD.

地址: 中国浙江省杭州市下城区石桥街道水车路81号

Add: No.81, Shuiche Road, Shiqiao Community

Xiacheng District, Hangzhou City, Zhejiang Province

销售热线(Tel): 0571-88141187

服务热线(Tel): 0571-88133312

传真(Fax): 0571-88141031 邮编(PC.): 310022

网址(http): www.xy-zl.com

邮箱(E-mail): hzc@xy-zl.com



注: 我公司对样本参数如有更改, 恕不另行通知, 照片、外形图以实物为准。

版本: 201902

www.xy-zl.com

企业简介 ENTERPRISE INTRODUCTION

浙江商业机械厂有限公司是专业设计、制造各种制冷压缩机、冷凝压缩机机组、低温复叠机组、冷水机组、船用机组、组合冷库等冷冻冷藏设备的企业，2015年建成了年产50000台的半封闭制冷压缩机总装自动生产线，产品销量在国内同行业中名列前茅，产品销售遍布全国，并远销欧洲、南美、东南亚、中东和非洲大陆。

企业积极响应全球环保、节能的绿色浪潮，提倡以绿色环保制冷剂为制冷工质。近年来企业致力于环保、节能型半封闭制冷压缩机的研发，产品即将投放市场。

Zhejiang Commercial Machinery Factory Co., Ltd. is a professional design, manufacturing all kinds of refrigeration compressors, condensing compressor unit, low temperature cascade unit, water-chiller unit, marine unit combination of cold storage and refrigerated equipment enterprise, 2015, built with an annual output of 50000 sets of semi-hermetically refrigeration compressor assembly automatic production line, product sales in the domestic same industry among the best, product sales throughout the country, and exported to Europe, South America, Southeast Asia, the Middle East and Africa.

Enterprises to actively respond to the green wave of global environmental protection and energy saving, advocating green refrigerants for refrigerants. In recent years, enterprises committed to environmental protection, energy saving type semi-hermetically refrigeration compressor, the product will be put on the market.



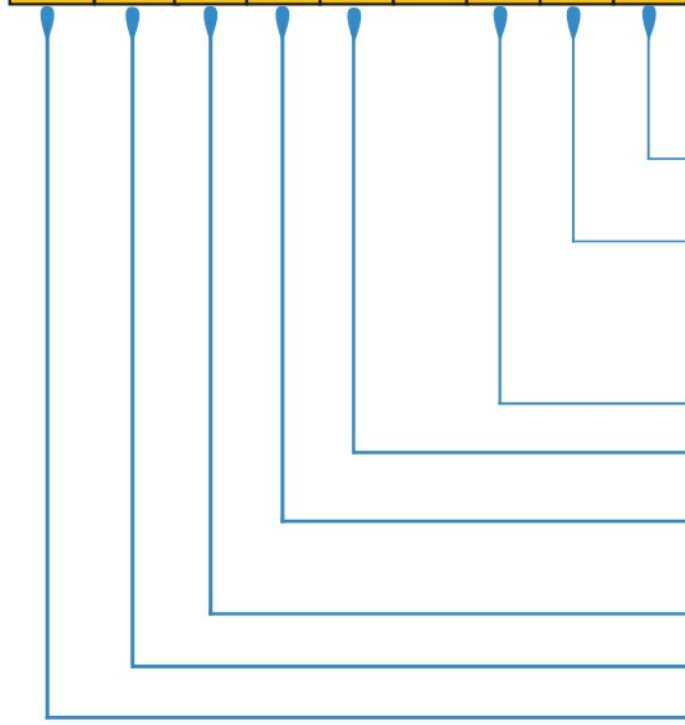


品质保证 QUALITY ASSURANCE



编号说明 DEFINITION OF CODE

B LG 70 G Y — 240 E BP

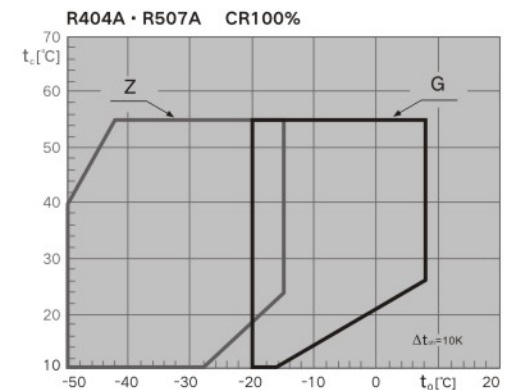
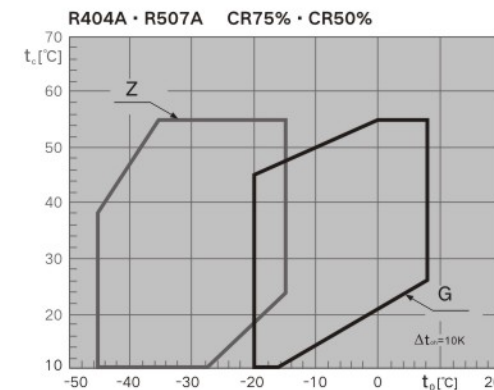
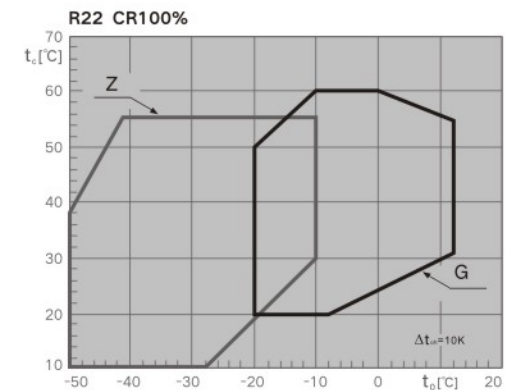
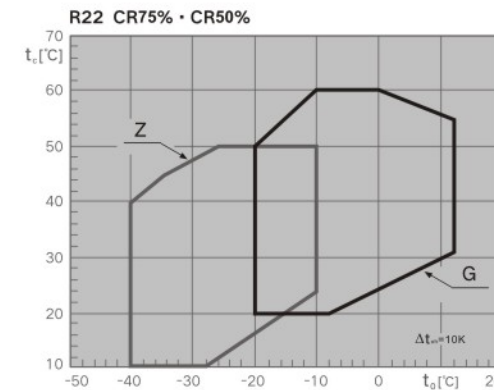


- BP-带变频器, 无变频器则字母省略
BP- with frequency converter, without the frequency converter, the letter is omitted
- 冷冻油类型: E-酯类油(R404A、R134a、R407C的新工质), 矿物油不表示(R22、R502)
Refrigeration oil type: E-ester oil (R404A, R134a, R407C newworking mediums); mineral oil isn't denoted (R22, R502)
- 理论排气量(m³/h), (50Hz) Theoretical displacement (m³/h), (50Hz)
- Y-带油分离器, 不带油分离器则字母省略
Y - with oil separator, without the oil separator is omitted
- G-中高温机; Z-中低温机; DS-低温双级机
G - Medium high temperature machine
Z - Medium low temperature machine
DS - Low temperature double stage machine
- 电机名义功率(Kw) Nominal motor power (Kw)
- 双螺杆 Twin screw
- 半封闭压缩机 Semi-hermetically refrigeration compressor

技术参数 TECHNICAL PARAMETER

压缩机型号 Compressor model	排量 Displacement (50Hz)	排量 Displacement (60Hz)	排气 Discharge	吸气 Suction	能量调节 Energy adjust	电源 Power supply	最大工作电流 Max operating current	最大功率 Maximum power	启动/堵转电流 Starting current/ Rotor locked current	重量 Weight
	m ³ /h		mm(inch)		%	V/φ/Hz	A	Kw	A	Kg
BLG20Z-84	84	101	φ42 (1 5/8")	φ54 (2 1/8")	100/90/55	400V ± 10%/3/50Hz 460V ± 10%/3/60Hz Part Winding	48	29	129/201	166
BLG30G-84	84	101			100/90/70		52	33	126/218	170
BLG25Z-100	100	121			100/80/45		52	33	126/218	169
BLG-35G-100	100	121			100/85/60		58	37.3	153/266	179
BLG30Z-118	118	142			100/75/45		58	37	153/266	174
BLG40G-118	118	142			100/80/55		66	42	182/311	183
BLG40Z-140	140	168			100/75/50		65	40	187/313	234
BLG50G-140	140	168			100/85/60		79	50	206/355	238
BLG50Z-165	165	198			100/75/45		79	50	206/355	238
BLG60G-165	165	198			100/80/55		98	65	267/449	246
BLG60Z-192	192	232	100/80/65	98	65	267/449	297			
BLG70G-192	192	232	100/75/45	124	75	290/485	305			
BLG70Z-220	220	266	φ54 (2 1/8")	φ76 (3 1/8")	100/75/50	124	75	290/485	310	
BLG80G-220	220	266	100/75/50	144	85	350/585	314			
BLG75Z-250	250	302	100/75/55	144	85	350/585	326			
BLG90G-250	250	302	100/60/40	162	92	423/686	336			
BLG110G-315	315	378	100/75/50	180	110	520/801	565			
BLG125G-359	359	430.8	100/75/50	216	130	612/943	575			
BLG125Z-410	410	492	100/75/50	216	130	612/943	575			
BLG140G-410	410	492	φ76 (3 1/8")	DN100	100/75/50	246	150	665/1023	580	
BLG160G-470	470	564	100/75/50	277	162	729/1144	585			
BLG160Z-535	535	642	100/75/50	274	175	729/1114	680			
BLG180G-535	535	642	100/75/50	330	181	757/1181	585			

使用范围 APPLICATION RANGE



G-高温机
Z-中温机
G-high temperature machine
Z-medium temperature machine



制冷量表 THE LIST OF REFRIGERATING CAPACITY

压缩机型号 Compressor model	冷凝温度 Condensing temperature ℃	制冷量 Refrigerating capacity Qo (KW)												
		蒸发温度 ℃ Evaporating temperature ℃												
		10	5	0	-5	-10	-15	-20	-25	-30	-35	-40	-45	-50
BLG20Z-84	30					61.4	51.9	43.4	35.9	29.3	23.5	18.4	14.1	10.3
	40					58.6	49.5	41.3	34.0	27.6	21.9	17.1	12.8	
	50					55.1	46.3	38.4	31.4	25.2	19.8	15.0		
BLG30G-84	30	112.7	98.2	84.9	72.9	62.1	52.4	43.8						
	40	109.0	94.7	81.7	69.9	59.3	49.7	41.1						
	50	103.2	89.2	76.4	64.7	54.2	44.7	36.1						
BLG25Z-100	30					71.4	60.6	50.9	42.3	34.7	28.0	22.2	17.2	12.9
	40					68.7	58.1	48.6	40.3	32.8	26.4	20.7	15.8	
	50					65.1	54.9	45.7	37.5	30.3	23.9	18.4		
BLG35G-100	30	131.1	114.3	98.9	84.9	72.3	60.9	50.7						
	40	125.7	109.2	94.2	80.6	68.3	57.2	47.3						
	50	119.0	103.0	88.3	75.0	63.0	52.3	42.7						
BLG30Z-118	30					83.1	70.5	59.3	49.4	40.6	32.8	26.1	20.2	15.2
	40					79.7	67.6	56.7	47.0	38.5	30.9	24.4	18.7	
	50					75.2	63.6	53.1	43.8	35.5	28.2	21.8		
BLG40G-118	30		130.8	114.0	98.6	84.5	71.7	60.1						
	40	144.1	126.1	109.5	94.2	80.3	67.6	56.0						
	50	137.3	119.7	103.4	88.5	74.8	62.3	51.0						
BLG40Z-140	30					95.9	81.4	68.4	56.9	46.6	37.7	29.9	23.1	17.3
	40					92.1	78.0	65.4	54.1	44.2	35.5	27.8	21.3	
	50					87.2	73.5	61.3	50.4	40.7	32.2	24.8		
BLG50G-140	30		151.9	131.4	112.8	96.0	80.8	67.2						
	40	166.7	144.9	125.0	106.9	90.5	75.8	62.6						
	50	157.5	136.3	116.9	99.3	83.4	69.1	56.4						
BLG50Z-165	30					113.6	96.5	81.2	67.6	55.5	45.0	35.7	27.7	20.9
	40					108.6	92.1	77.3	64.2	52.5	42.3	33.3	25.5	
	50					102	86.3	72.1	59.5	48.3	38.5	29.8		
BLG60G-165	30		180.0	156.3	134.6	115.0	97.2	81.0						
	40	198.3	172.9	149.5	128.3	108.9	91.3	75.3						
	50	188.1	163.3	140.7	120.0	101.1	84.0	68.4						
BLG60Z-192	30					143.3	120.8	100.9	83.3	67.9	54.4	42.7	32.6	24.0
	40					135.5	114.2	95.2	78.4	63.6	50.7	39.5	29.8	
	50					125.9	105.8	87.9	72.0	58.0	45.6	34.8		
BLG70G-192	30	264.4	229.3	197.5	168.9	143.4	120.6	100.4						
	40	253.2	219.1	188.3	160.6	135.8	113.6	93.8						
	50	237.0	204.1	174.3	147.4	123.3	101.6	82.2						
BLG70Z-220	30					158	133.9	112.4	93.4	76.6	61.9	49.2	38.2	28.7
	40					150.7	127.5	106.8	88.5	72.3	58.1	45.8	35.1	
	50					141.6	119.4	99.6	82.0	66.4	52.7	40.7		
BLG80G-220	30		252.3	217.7	186.4	158.2	133.0	110.5						
	40	276.0	239.1	205.7	175.5	148.4	124.2	102.6						
	50	258.7	223.2	191.0	162.0	136.0	112.8	92.2						
BLG75Z-250	30					170.7	144.7	121.6	101.1	83.1	67.3	53.5	41.7	31.4
	40					162.2	137.3	115.2	95.6	78.3	63.1	49.8	38.3	
	50					151.3	127.9	106.9	88.3	71.8	57.3	44.6		
BLG90G-250	30		272.5	235.9	202.8	172.8	145.8	121.5						
	40	299.3	260.1	224.4	192.1	162.9	136.5	112.7						
	50	281.9	244.1	209.8	178.7	150.5	125.1	102.1						

制冷量表 THE LIST OF REFRIGERATING CAPACITY

压缩机型号 Compressor model	冷凝温度 Condensing temperature ℃	制冷量 Refrigerating capacity Qo (KW)												
		蒸发温度 ℃ Evaporating temperature ℃												
		10	5	0	-5	-10	-15	-20	-25	-30	-35	-40	-45	-50
BLG110G-315	30	421	365	314	268	228	191.7	159.9						
	40	400	345	296	253	213	178.7	147.9						
	50	370	318	271	229	191.1	157.8	128.1						
BLG125G-359	30	472	410	253	302	256	216	179.4						
	40	447	386	332	283	239	200	165.7						
	50	416	358	306	259	218	180.7	148						
BLG125Z-410	30					285	242	204	169.7	140	114.1	91.6	72.3	55.8
	40					272	231	193.5	160.7	131.9	106.6	84.7	65.7	
	50					255	215	179.6	148.2	120.5	96.1	74.7		
BLG140G-410	30		450	389	334	284	240	200						
	40	494	429	369	316	268	225	187.3						
	50	462	400	343	292	247	205	168.3						
BLG160G-470	30		519	445	380	322	270	225						
	40	573	494	424	361	305	255	211						
	50	539	464	396	336	281	233	189.4						
BLG160Z-535	30	136.8	136.9	136.5	135.8	135.3	135.2	136						
	40					366	310	259	215	177	143.5	114.5	89.5	68.2
	50					347	293	246	204	167	134.8	106.9	82.7	
BLG180G-535	30		590	506	431	365	306	254						
	40	651	561	480	408	345	288	238						
	50	611	525	448	379	317	262	214						





制冷量表 THE LIST OF REFRIGERATING CAPACITY

压缩机型号 Compressor model	冷凝温度 Condensing temperature ℃	制冷量 Refrigerating capacity Qo (KW)												
		蒸发温度 ℃ Evaporating temperature ℃												
		10	5	0	-5	-10	-15	-20	-25	-30	-35	-40	-45	-50
BLG20Z-84	30					52.1	42.9	34.9	28.0	22.2	17.3	13.2	9.8	7.0
	40					46.5	38.1	30.9	24.7	19.4	15.0	11.3	8.3	
	50					40.5	32.9	26.5	21.0	16.3	12.3	9.1		
BLG30G-84	30	107.0	90.6	76.2	63.7	52.7	43.3	35.1						
	40	97.3	82.1	68.8	57.2	47.0	38.3	30.7						
	50	86.0	72.0	59.8	49.1	39.8	31.7	24.8						
BLG25Z-100	30					61.5	50.8	41.5	33.5	26.7	21.0	16.2	12.2	8.9
	40					55.4	45.5	37.0	29.7	23.5	18.3	13.9	10.3	
	50					48.7	39.8	32.1	25.5	19.9	15.2	11.3		
BLG35G-100	30	126.9	107.5	90.4	75.5	62.4	51.1	41.3						
	40	114.5	96.6	80.9	67.1	55.1	44.8	35.9						
	50	101.5	85.0	70.6	58.0	47.2	37.8	29.8						
BLG30Z-118	30					73.3	60.5	49.4	40.0	31.9	25.1	19.3	14.6	10.6
	40					65.8	54.1	44.1	35.4	28.1	21.9	16.7	12.4	
	50					57.7	47.2	38.1	30.4	23.8	18.3	13.7		
BLG40G-118	30	149.8	127.4	107.6	90.2	75.0	61.7	50.1						
	40	136.4	115.5	97.1	80.9	66.7	54.3	43.5						
	50	121.6	102.4	85.5	70.7	57.7	46.4	36.5						
BLG40Z-140	30					86.2	71.1	58.1	46.9	37.4	29.4	22.7	17.1	12.5
	40					77.6	63.7	51.8	41.6	32.9	25.6	19.5	14.5	
	50					68.3	55.7	44.9	35.7	27.9	21.3	15.8		
BLG50G-140	30	177.8	150.6	126.7	105.7	87.5	71.6	57.9						
	40	160.5	135.3	113.3	94.0	77.3	62.8	50.3						
	50	142.1	119.1	98.9	81.3	66.1	53.0	41.8						
BLG50Z-165	30					102.7	84.8	69.3	56.0	44.7	35.2	27.1	20.4	14.9
	40					92.3	75.9	61.8	49.7	39.4	30.7	23.4	17.4	
	50					80.9	66.2	53.5	42.6	33.4	25.6	19.1		
BLG60G-165	30	210.0	178.6	150.9	126.5	105.2	86.5	70.2						
	40	191.2	161.9	136.1	113.4	93.5	76.2	61.0						
	50	170.6	143.6	119.9	99.1	80.9	65.0	51.2						
BLG60Z-192	30					128.1	105.4	85.8	69.0	54.8	42.7	32.6	24.3	17.4
	40					114.5	93.8	76.1	60.9	48.0	37.1	28.0	20.5	
	50					99.8	81.3	65.4	51.8	40.3	30.6	22.6		
BLG70G-192	30	262.6	222.4	187.2	156.4	129.6	106.4	86.5						
	40	239.0	201.8	169.1	140.6	115.7	94.2	75.7						
	50	211.6	177.3	147.2	120.9	98.1	78.4	61.4						
BLG70Z-220	30					143.6	118.5	96.8	78.2	62.4	49.1	37.9	28.6	20.9
	40					129.3	106.3	86.4	69.5	55.0	42.9	32.7	24.3	
	50					114	93.1	75.1	59.7	46.7	35.8	26.7		
BLG80G-220	30	295.6	250.4	210.7	175.9	145.6	119.2	96.5						
	40	267.0	225.3	188.7	156.6	128.8	104.7	84.1						
	50	236.8	198.5	164.9	135.7	110.4	88.7	70.1						
BLG75Z-250	30					155.8	128.6	105.2	85.1	67.9	53.5	41.3	31.2	22.8
	40					140.2	115.3	93.9	75.5	59.9	46.8	35.7	26.6	
	50					123.1	100.7	81.4	65.0	51.0	39.2	29.3		
BLG90G-250	30	318.1	270.5	228.6	191.7	159.4	131.1	106.5						
	40	289.9	245.5	206.4	172.1	142.0	115.7	92.8						
	50	258.8	218.0	182.1	150.5	123.0	99.0	78.1						

制冷量表 THE LIST OF REFRIGERATING CAPACITY

压缩机型号 Compressor model	冷凝温度 Condensing temperature ℃	制冷量 Refrigerating capacity Qo (KW)												
		蒸发温度 ℃ Evaporating temperature ℃												
		10	5	0	-5	-10	-15	-20	-25	-30	-35	-40	-45	-50
BLG110G-315	30	411	349	293	245	203	166.9	135.7						
	40	375	316	265	221	181.6	147.9	119						
	50	332	278	231	190	154.2	123.3	96.8						
BLG125G-359	30	467	396	333	278	230	188.5	152.7						
	40	422	356	298	248	204	165.8	133.1						
	50	374	314	261	215	175	140.6	111.2						
BLG125Z-410	30					262	216	177.2	143.6	115.1	91	70.9	54.2	40.4
	40					238	195.8	159.4	128.3	102	79.7	61.1	45.8	
	50					211	172.2	139	110.8	86.7	66.5	49.6		
BLG140G-410	30	526	446	376	315	261	214	174.1						
	40	479	406	341	284	234	191.1	154						
	50	428	360	301	249	203	163.8	129.6						
BLG160G-470	30	604	511	430	359	297	243	197.1						
	40	555	468	392	325	268	218	174.8						
	50	499	419	348	287	233	186.8	147						
BLG160Z-535	30					336	278	227	184	147.2	116	89.9	68.2	50.3
	40					304	251	204	164.7	131	102.5	78.6	58.7	
	50					270	221	179.4	143.5	113	87.1	65.4		
BLG180G-535	30	687	582	489	408	338	277	224						
	40	631	533	446	370	305	248	199						
	50	568	477	396	326	265	213	167.4						





制冷量表 THE LIST OF REFRIGERATING CAPACITY

压缩机型号 Compressor model	冷凝温度 Condensing temperature ℃	制冷量 Refrigerating capacity Qo (KW)												
		蒸发温度 ℃ Evaporating temperature ℃												
		7.5	5	0	-5	-10	-15	-20	-25	-30	-35	-40	-45	-50
BLG20Z-84E	30						56.8	47.9	40.0	33.0	26.8	21.4	16.7	16.4
	40						53.7	45.1	37.5	30.7	24.7	19.5	14.9	
	50										21.6	16.5	11.9	
BLG30G-84E	30	113.3	105.7	91.5	78.8	67.3	57.0	47.8						
	40	106.6	99.4	86.0	74.0	63.1	53.4	44.7						
	50	98.1	91.5	79.1	67.9	57.7	48.6	40.4						
BLG25Z-100E	30						66.3	55.9	46.7	38.5	31.3	25.1	19.6	14.9
	40						62.6	52.7	43.9	36.0	29.1	23.0	17.7	
	50										25.7	19.8	14.6	
BLG35G-100E	30	131.7	123.0	106.7	91.9	78.6	66.7	56.0						
	40	123.5	115.3	100.0	86.2	73.8	62.6	52.6						
	50	113.7	106.1	92.1	79.3	67.8	57.4	48.1						
BLG30Z-118E	30						75.6	63.9	53.4	44.1	36.0	28.9	22.7	17.3
	40						71.4	60.3	50.3	41.5	33.8	26.9	21.0	
	50										24.0	18.3		
BLG40G-118E	30	147.9	138.5	120.7	104.5	89.7	76.5	64.5						
	40	139.7	130.7	113.7	98.3	84.4	71.7	60.3						
	50	128.5	120.1	104.4	90.1	77.1	65.3	54.5						
BLG40Z-140E	30						91.3	77.0	64.2	52.9	42.9	34.2	26.6	20.0
	40						86.2	72.6	60.5	49.8	40.4	32.2	25.0	
	50										36.4	28.8	22.1	
BLG50G-140E	30		168.0	145.5	125.2	106.9	90.5	75.9						
	40	167.2	156.0	135.1	116.2	99.3	84.1	70.6						
	50	151.1	140.9	122.0	104.9	89.6	75.8	63.4						
BLG50Z-165E	30						105.3	88.8	74.2	61.3	50.0	40.1	31.6	24.2
	40						98.1	82.8	69.2	57.2	46.7	37.5	29.5	
	50									51.3	41.7	33.3	25.8	
BLG60G-165E	30		199.6	172.8	148.6	126.8	107.4	90.1						
	40	199.5	185.9	160.8	138.2	117.9	99.7	83.4						
	50	179.5	167.2	144.4	123.8	105.4	88.8	73.8						
BLG60Z-192E	30						132.3	110.6	91.7	75.1	60.6	48.0	37.1	27.8
	40						121.1	101.4	84.1	69.0	55.7	44.2	34.2	
	50									74.2	60.8	49.1	38.8	29.8
BLG70G-192E	30	272.0	252.8	216.9	185.0	156.8	131.9	109.9						
	40	249.0	231.0	198.2	169.1	143.4	120.6	100.5						
	50	220.0	203.8	174.7	149.0	126.1	105.8	87.8						
BLG70Z-220E	30						147.6	123.9	103.1	84.8	68.9	55.0	42.9	32.4
	40						136.8	114.8	95.5	78.7	63.9	51.0	39.9	
	50						122.2	102.6	85.3	70.1	56.8	45.1	34.9	
BLG80G-220E	30		278.7	239.8	205.1	174.2	146.8	122.6						
	40	274.0	254.7	219.1	187.4	159.3	134.5	112.6						
	50	243.0	225.6	194.0	165.9	141.0	118.9	99.4						
BLG75Z-250E	30						155.8	130.9	109.0	89.9	73.3	58.9	46.4	35.7
	40						143.1	120.3	100.4	82.9	67.7	54.5	43.0	
	50						126.5	106.5	88.9	73.4	59.8	47.8	37.3	
BLG90G-250E	30		301.7	259.7	222.2	188.8	159.2	133.1						
	40	299.0	277.4	238.5	203.9	173.2	146.0	121.9						
	50	264.0	245.5	210.7	179.9	152.5	128.1	106.4						

制冷量表 THE LIST OF REFRIGERATING CAPACITY

压缩机型号 Compressor model	冷凝温度 Condensing temperature ℃	制冷量 Refrigerating capacity Qo (KW)												
		蒸发温度 ℃ Evaporating temperature ℃												
		7.5	5	0	-5	-10	-15	-20	-25	-30	-35	-40	-45	-50
BLG110G-315E	30		395	338	288	243	204	170.1						
	40		359	306	260	219	182.7	151.4						
	50													
BLG125G-359E	30		443	380	324	275	232	194.2						
	40		405	346	294	249	209	174.6						
	50		355	303	257	217	181.5	150.9						
BLG125Z-410E	30						259	218	182.2	150.9	123.7	100.3	80	62.7
	40						236	198.2	165.1	136.3	111.2	89.4	70.5	
	50						207	173.1	143.5	117.6	94.9	74.9	57.4	
BLG140G-410E	30		486	419	359	306	259	217						
	40		446	383	327	277	234	196.5						
	50		393	336	286	243	205	171						
BLG160G-470E	30		562	482	412	351	296	249						
	40		507	436	373	318	269	225						
	50		445	383	329	280	237	198.9						
BLG160Z-535E	30						326	273	227	187.6	153	123.1	97.3	75.2
	40						295	247	206	169.4	137.8	110.3	86.4	
	50						258	216	179.6	147.2	118.7	93.4	70.9	
BLG180G-535E	30		643	549	468	397	334	280						
	40		576	493	420	357	301	252						
	50		504	432	368	313	264	221						





制冷量表 THE LIST OF REFRIGERATING CAPACITY

压缩机型号 Compressor model	冷凝温度 Condensing temperature ℃	制冷量 Refrigerating capacity Qo (KW)												
		蒸发温度 ℃ Evaporating temperature ℃												
		7.5	5	0	-5	-10	-15	-20	-25	-30	-35	-40	-45	-50
BLG20Z-84E	30						43.5	35.2	28.1	22.2	17.2	13.2	9.8	7.1
	40						36.9	29.6	23.4	18.2	13.9	10.4	7.5	
	50						29.7	23.4	18.1	13.8	10.2	7.3	4.9	
BLG30G-84E	30	103.9	95.0	79.1	65.4	53.7	43.6	35.1						
	40	89.4	81.6	67.7	55.7	45.4	36.6	29.2						
	50	74.0	67.4	55.4	45.2	36.4	29.0	22.8						
BLG25Z-100E	30						51.9	42.0	33.6	26.5	20.6	15.7	11.7	8.5
	40						44.1	35.4	28.1	21.9	16.8	12.6	9.1	
	50						35.6	28.1	21.9	16.7	12.4	9.0	6.2	
BLG35G-100E	30	124.1	113.6	94.7	78.4	64.4	52.4	42.1						
	40	106.9	97.6	81.1	66.8	54.6	44.2	35.4						
	50	88.9	81.0	66.8	54.7	44.3	35.5	28.0						
BLG30Z-118E	30						61.1	49.5	39.6	31.3	24.3	18.6	13.9	10.1
	40						52.1	41.9	33.2	26.0	20.1	15.2	11.2	
	50						42.1	33.5	26.2	20.2	15.3	11.2	8.0	
BLG40G-118E	30	146.7	134.4	112.2	93.0	76.4	62.3	50.2						
	40	127.3	116.4	96.7	79.7	65.1	52.7	42.0						
	50	106.1	96.6	79.7	65.1	52.7	42.0	33.0						
BLG40Z-140E	30						75.9	61.3	49.0	38.6	29.9	22.7	16.8	12
	40						65.0	52.2	41.3	32.3	24.8	18.7	13.7	
	50						52.7	41.8	32.7	25.2	19.0	14.0	10.0	
BLG50G-140E	30	181.8	166.3	138.6	114.7	94.1	76.5	61.5						
	40	155.8	142.3	118.2	97.4	79.5	64.3	51.5						
	50	128.2	116.8	96.3	78.7	63.7	51.0	40.3						
BLG50Z-165E	30						88.8	71.8	57.4	45.3	35.3	27.0	20.2	14.7
	40						75.6	60.8	48.3	37.9	29.3	22.2	16.5	
	50						60.8	48.4	38.1	29.5	22.4	16.6	12.0	
BLG60G-165E	30	216.0	197.8	165.1	136.8	112.5	91.6	73.8						
	40	186.8	170.8	141.9	117.0	95.7	77.3	61.8						
	50	154.3	140.6	115.9	94.7	76.5	61.0	47.9						
BLG60Z-192E	30						111.1	89.6	71.3	56.0	43.3	32.7	24.1	17.1
	40						93.8	75.1	59.4	46.3	35.5	26.6	19.4	
	50						74.4	59.0	46.2	35.6	26.9	19.8	14.1	
BLG70G-192E	30	266.0	243.4	202.7	167.6	137.5	111.6	89.7						
	40	228.0	208.3	172.7	142.1	115.9	93.5	74.6						
	50	186.7	169.9	139.8	114.0	91.9	73.2	57.5						
BLG70Z-220E	30						126.4	102.1	81.6	64.3	49.9	37.9	28.1	20.2
	40						108.3	86.9	68.9	53.9	41.4	31.2	23.0	
	50						87.9	69.8	54.6	42.1	31.8	23.5	16.8	
BLG80G-220E	30	302.0	276.4	230.4	190.7	156.6	127.3	102.4						
	40	259.0	236.7	196.6	162.0	132.4	107.2	85.8						
	50	214.0	194.5	160.4	131.2	106.3	85.1	67.3						
BLG75Z-250E	30						134.7	108.9	87.2	68.9	53.7	41.1	30.8	22.5
	40						114.7	92.3	73.4	57.7	44.6	33.9	25.1	
	50						92.4	73.7	57.9	44.9	34.1	25.4	18.3	
BLG90G-250E	30	327.0	299.4	250.0	207.2	170.4	138.9	111.9						
	40	283.0	258.7	215.0	177.4	145.0	117.3	93.7						
	50	234.0	213.2	175.8	143.7	116.2	92.7	72.9						

制冷量表 THE LIST OF REFRIGERATING CAPACITY

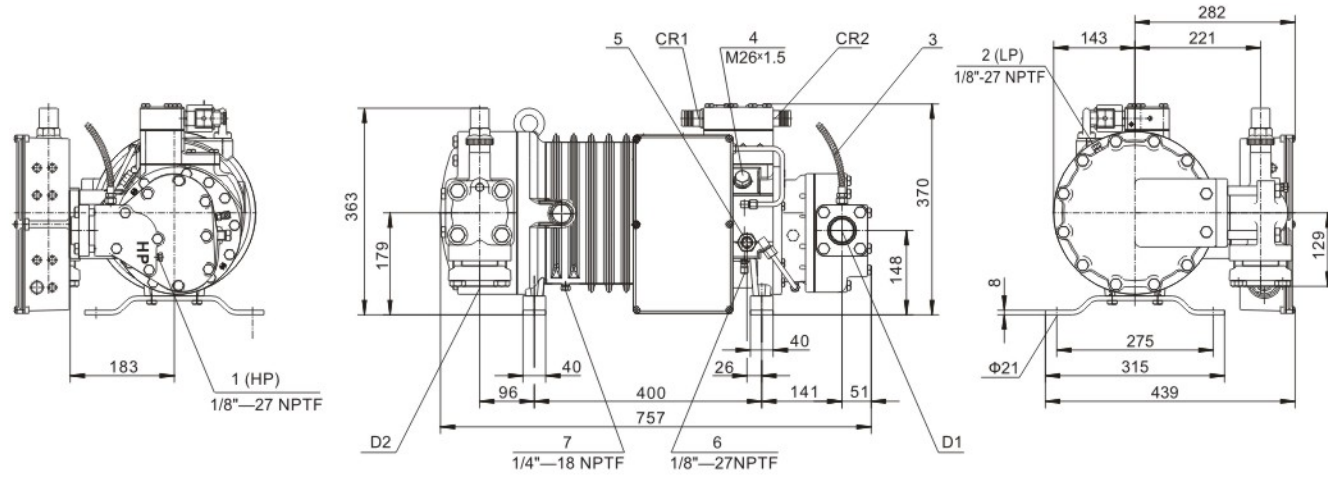
压缩机型号 Compressor model	冷凝温度 Condensing temperature ℃	制冷量 Refrigerating capacity Qo (KW)												
		蒸发温度 ℃ Evaporating temperature ℃												
		7.5	5	0	-5	-10	-15	-20	-25	-30	-35	-40	-45	-50
BLG110G-315E	30		375	313	259	212	172.6	138.8						
	40		324	269	221	179.6	144.6	115						
	50		269	221	179.2	143.8	113.8	88.7						
BLG125G-359E	30		426	355	294	242	197.2	159.2						
	40		369	306	252	205	165.7	132.4						
	50		305	251	204	164.8	131.5	103.5						
BLG125Z-410E	30						227	183.9	147.8	117.4	92	71.1	53.9	40
	40						192.9	155.2	123.4	96.9	74.9	56.7	42	
	50						155.4	123.3	96.4	74.1	55.7	40.8	28.7	
BLG140G-410E	30		483	404	335	276	226	183.2						
	40		418	348	288	236	191.3	153.7						
	50		348	287	236	191.1	153.4	121.6						
BLG160G-470E	30		554	464	387	320	262	212						
	40		477	398	330	271	221	177.7						
	50		393	326	269	219	176.8	140.7						
BLG160Z-535E	30						287	233	187	148.4	116.1	89.3	67.3	49.3
	40						243	195.5	155.8	122.4	94.6	71.7	52.9	
	50						194.7	155.2	121.9	94	70.9	51.9	36.3	
BLG180G-535E	30		635	531	441	364	297	241						
	40		545	453	375	307	250	201						
	50		449	372	305	248	199.6	158.8						





外形图 OUTLINE DRAWING

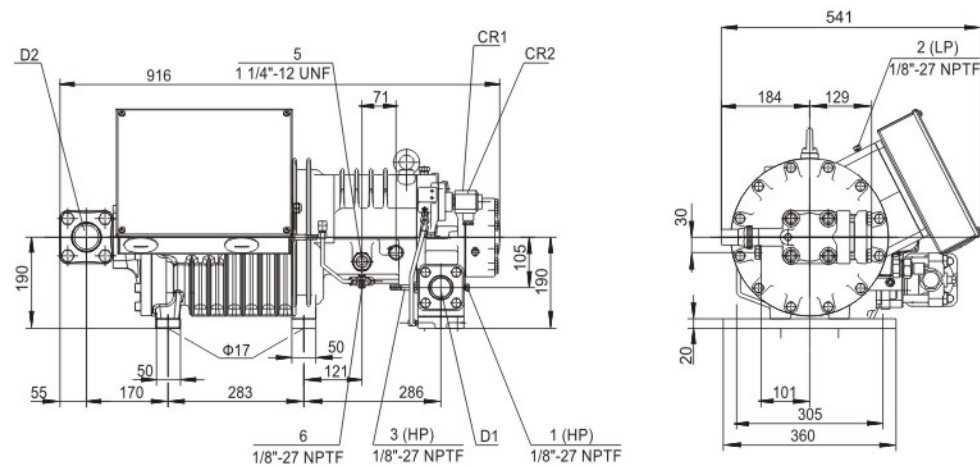
BLG20Z-84、BLG30G-84、BLG25Z-100、BLG35G-100、BLG30Z-118、BLG40G-118



吸、排气阀接管 Aspirator,exhaust valve take-over

型号	BLG20Z-84	BLG30G-84	BLG25Z-100	BLG35G-100	BLG30Z-118	BLG40G-118
D1 mm	φ 42(1 3/8")	φ 42(1 3/8")	φ 42(1 3/8")	φ 42(1 3/8")	φ 42(1 3/8")	φ 42(1 3/8")
D2 mm	φ 54(2 1/8")	φ 54(2 1/8")	φ 54(2 1/8")	φ 54(2 1/8")	φ 54(2 1/8")	φ 54(2 1/8")

BLG40Z-140、BLG50G-140、BLG50Z-165、BLG60G-165

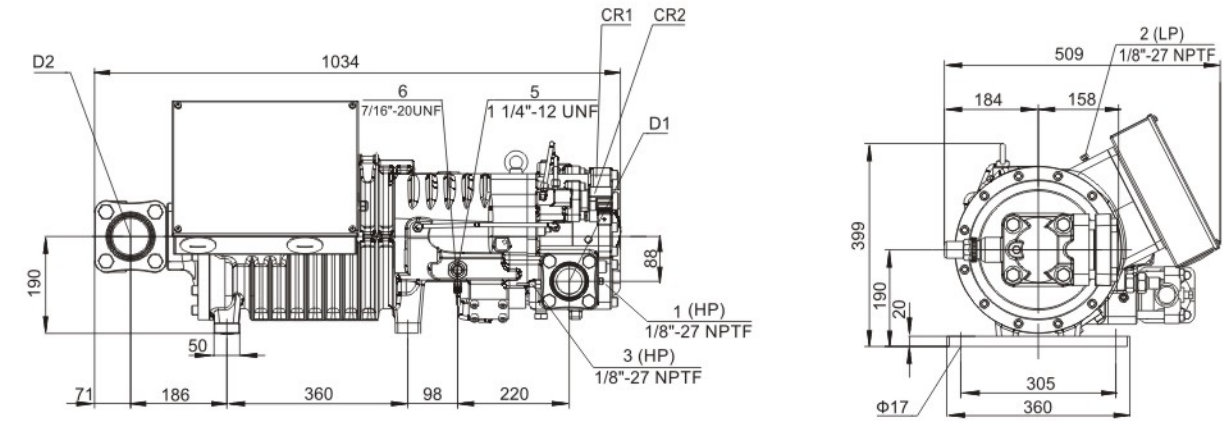


吸、排气阀接管 Aspirator,exhaust valve take-over

型号	BLG40Z-140	BLG50G-140	BLG50Z-165	BLG60G-165
D1 mm	φ 42(1 3/8")	φ 42(1 3/8")	φ 42(1 3/8")	φ 42(1 3/8")
D2 mm	φ 54(2 1/8")	φ 54(2 1/8")	φ 54(2 1/8")	φ 54(2 1/8")

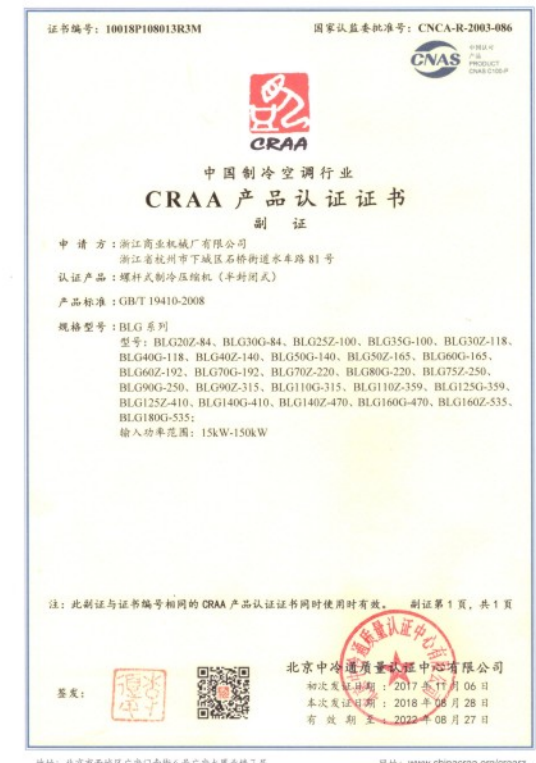
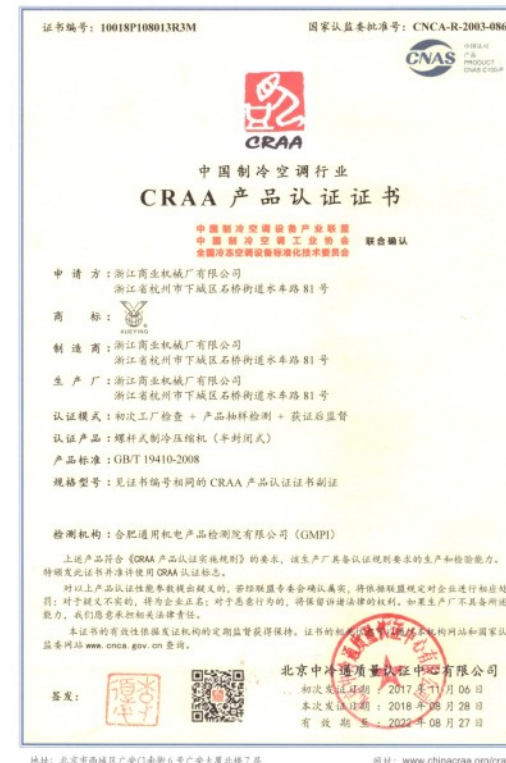
外形图 OUTLINE DRAWING

BLG60Z-192、BLG70G-192、BLG70Z-220、BLG80G-220、BLG75Z-250、BLG90G-250



吸、排气阀接管 Aspirator,exhaust valve take-over

型号	BLG60Z-192	BLG70G-192	BLG70Z-220	BLG80G-220	BLG75Z-250	BLG90G-250
D1 mm	φ 54(2 1/8")	φ 54(2 1/8")	φ 54(2 1/8")	φ 54(2 1/8")	φ 54(2 1/8")	φ 54(2 1/8")
D2 mm	φ 76(3 1/8")	φ 76(3 1/8")	φ 76(3 1/8")	φ 76(3 1/8")	φ 76(3 1/8")	φ 76(3 1/8")



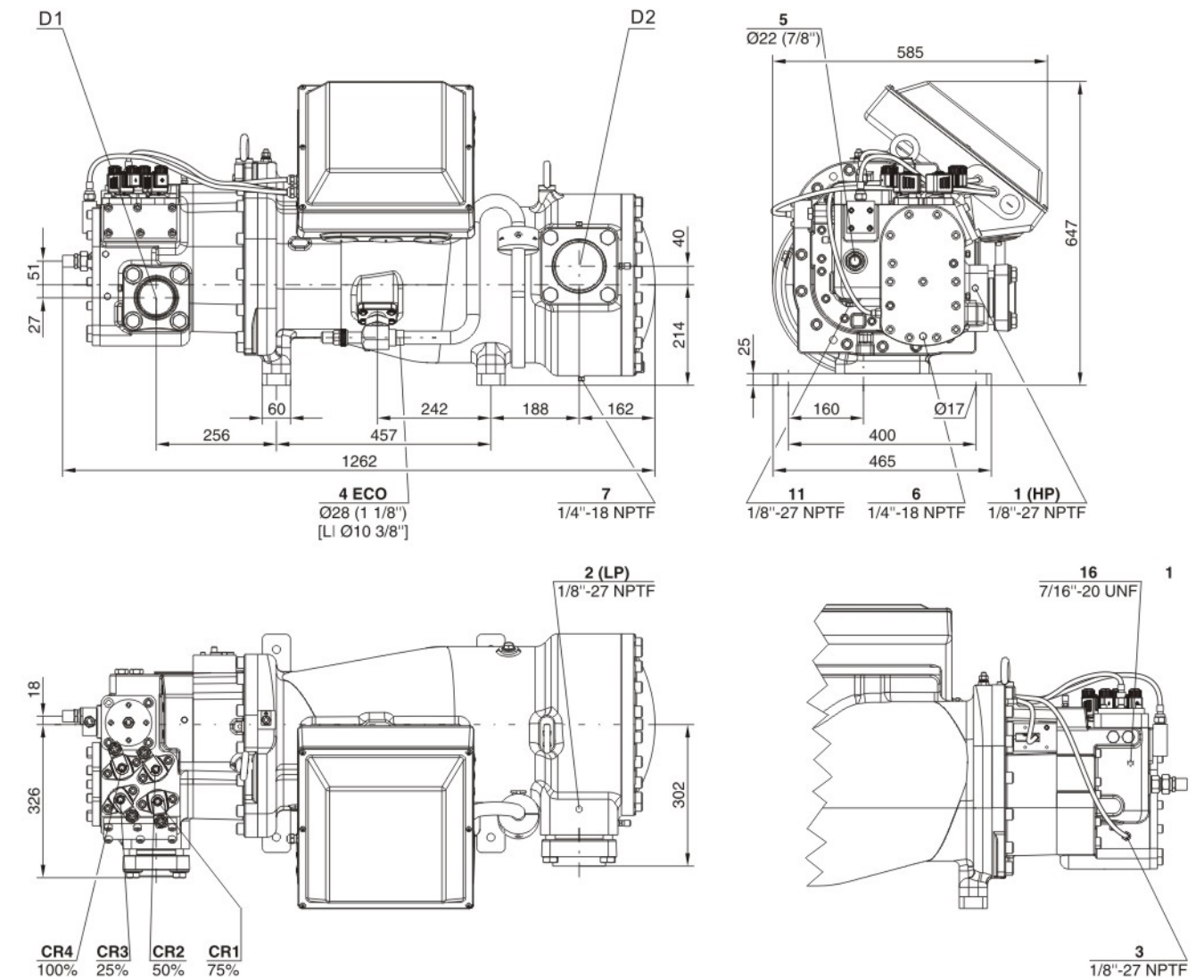
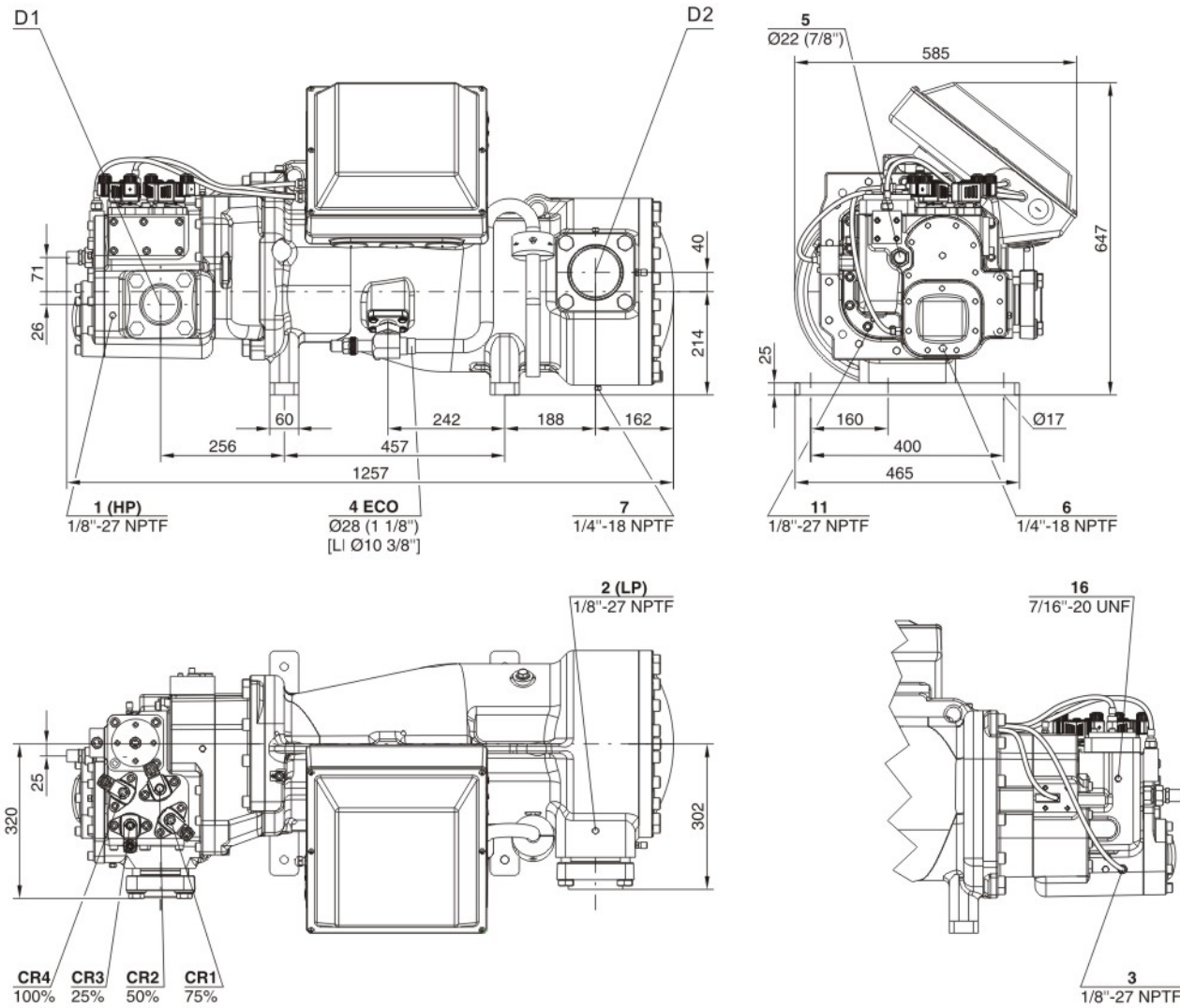


外形图 OUTLINE DRAWING

外形图 OUTLINE DRAWING

BLG110G-315、BLG125G-359、BLG125Z-410、BLG140G-410

BLG160G-470、BLG160Z-535、BLG180G-535



吸、排气阀接管 Aspirator,exhaust valve take-over

型号	BLG110G-315	BLG125G-359	BLG125Z-410	BLG140G-410
D1 mm	φ 76(3 1/8")	φ 76(3 1/8")	φ 76(3 1/8")	φ 76(3 1/8")
D2 mm	DN100	DN100	DN100	DN100

吸、排气阀接管 Aspirator,exhaust valve take-over

型号	BLG160G-470	BLG160Z-535	BLG180G-535
D1 mm	φ 76(3 1/8")	φ 76(3 1/8")	φ 76(3 1/8")
D2 mm	DN100	DN100	DN100



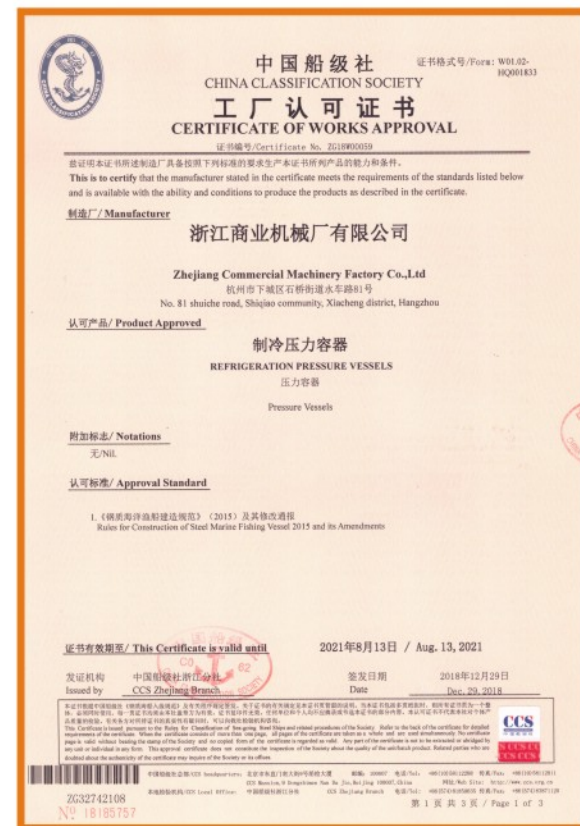
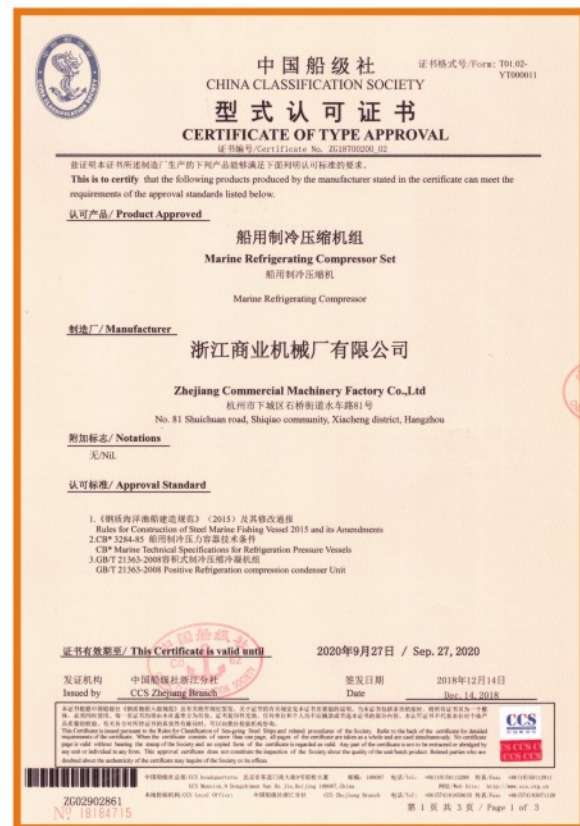
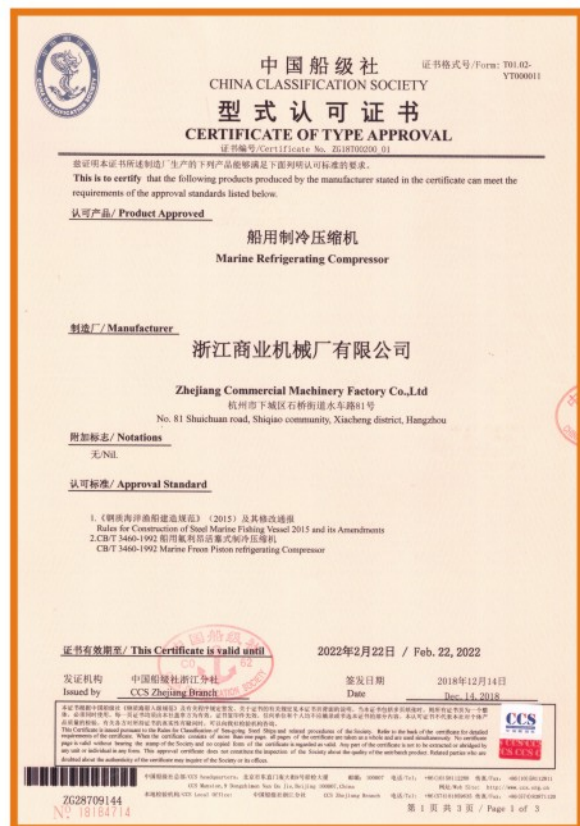
外形图 OUTLINE DRAWING

图示接管位置说明

- 1 高压联接点 (HP)
- 2 低压联接点 (LP)
- 3 排气温度传感器 (HP)
- 4 经济器或喷液联接 (截止阀或接头选购)
- 5 喷油口
- 6 油压测口
- 7 放油堵(电机侧)
- 8 用于地脚固定的螺纹孔
- 9 管卡螺丝

Explanation of pipes location in the drawing

- 1 High pressure connection (HP)
- 2 Low pressure connection (LP)
- 3 Discharge gas temperature sensor (HP)
- 4 Economiser / liquid injection
- 5 Oil injection
- 6 Oil pressure connection
- 7 Oil drain plug (motor housing)
- 8 Threaded hole for foot fixation
- 9 Threaded hole for pipe support (ECO and LI line)



一流品质 铸就精品
雪鹰半封闭制冷压缩机
强劲制冷动力“芯”